

Publication number : 2001-255542

Date of publication of application : 21.09.2001

Int.Cl. G02F 1/1339 G02F 1/1341 G09F 9/00

5

Application number : 2000-069653

Applicant : SHARP CORP

Date of filing : 14.03.2000

Inventor :

10 YAMAMOTO YUICHI

METHOD AND DEVICE FOR LAMINATING SUBSTRATE AND METHOD AND
DEVICE FOR MANUFACTURING LIQUID CRYSTAL DISPLAY DEVICE

15 [Abstract]

PROBLEM TO BE SOLVED: To provide a method for laminating substrates and a
device for lamination, in which the pressing force between two substrates can be
applied uniformly over the whole substrate, without having to use a precision press
mechanism and precision lamination of substrates can be readily performed in a
20 short time, and to provide a method for manufacturing a liquid crystal display device
and a device for manufacture.

SOLUTION: Substrates 1, 2 are first mounted on an upper surface plate 15 and a
lower surface plate 16, respectively. The upper surface plate 15 and a hollow
member 14 are lowered onto the lower surface plate 16, and the pressure in a first
25 space A and in a second space B is reduced. The drive mechanism for the upper

surface plate 15 is released and the pressure in the second space B is gradually increased, so as to press the upper surface plate 15 against the lower surface plate 16 by the pressure difference from the first space A. When the cell gap 12 reaches a prescribed value, a sealing material 4 is irradiated with UV rays from a light guide

5 13 and hardened.

[Claim(s)]

[Claim 1] A method for laminating a couple of substrates at a predetermined gap and with a seal material engaged therebetween, comprising the steps of:

placing the couple of substrates respectively on two substrate support arranged
5 opposite to each other; and

gradually increasing pressure in a space located opposite to a substrate-mounting side of at least one of the substrate supports with respect to pressure in another space located between the couple of substrates, thereby making the predetermined gap between the couple of substrates.

10 [Claim 2] A substrate laminating apparatus used for laminating a couple of substrates at a predetermined gap and with a seal material engaged therebetween, comprising:

two substrate supports arranged opposite to each other for placing the couple of substrates respectively thereon,

15 wherein a first space and a second space are hermetically formed, the first space including a gap formed between the couple of substrates respectively placed on the two substrate supports, the second space including at least a portion of a space

located opposite to a substrate-mounting side of one of the substrate supports, and
wherein the pressure of the second space is varied with respect to the pressure of
the first space.

[Claim 3] A method for fabricating an LCD device formed by inserting a liquid
5 crystal between a couple of substrates bonded at a predetermined gap with a seal
material engaged therebetween, comprising:

a first process of placing the couple of substrates respectively on two substrate
supports arranged opposite to each other; and

a second process of gradually increasing pressure of a space located opposite to a
10 substrate-mounting side of at least one of the substrate supports with respect to
pressure of another space located between the couple of substrates, thereby
making the predetermined gap between the couple of substrates.

[Claim 4] The method of claim 3, wherein the seal material is made of an
ultraviolet curable resin, and the seal material is exposed to ultraviolet rays when
15 the predetermined gap is made in the second process.

[Claim 5] The method of claim 3 or 4, further comprising:

a third process of applying a liquid crystal onto one side of the substrate before the
first process; and

a fourth process of reducing the pressure of the first and the second space between the first and the second process.

[Claim 6] A substrate laminating apparatus used for laminating a couple of substrates at a predetermined gap and with a seal material engaged therebetween,
5 comprising:

a first substrate support and a second substrate support arranged opposite to each other for placing the couple of substrates respectively thereon,

wherein a first space and a second space are hermetically formed, the first space including a gap formed between the couple of substrates respectively placed on the

10 two substrate supports, the second space including at least a portion of a space located opposite to a substrate-mounting side of one of the substrate supports, and wherein a pressure of the second space can be varied with respect to a pressure of the first space.

[Claim 7] The apparatus of claim 6, wherein the second substrate support is in
15 contact with the first substrate support while surrounding a region where a substrate is placed, so as to form the first space, further comprising:

a hollow member that is in contact with the first substrate support while covering the first space as well as the second substrate support, so as to form the second

space between the first and the second substrate support; and

elastic members formed on contact portions between the first and the second substrate support as well as between the first substrate support and the hollow member.

5 [Claim 8] A method for fabricating an LCD device formed by inserting a liquid crystal between a couple of substrates bonded at a predetermined gap with a seal material engaged therebetween, comprising the processes of:

applying a liquid crystal on one side of a substrate;

placing the couple of substrates respectively on two substrate supports arranged

10 opposite to each other; and

reducing pressure of a first space including a gap formed between the couple of substrates respectively placed on the two substrate supports, and pressure of a second space including at least a portion of a space located opposite to a substrate-mounting side of one of the substrate supports, wherein the couple of

15 substrates are bonded with each other by pressing the two substrate supports and thereby pressing the seal material.

[Title of the Invention]

METHOD AND DEVICE FOR LAMINATING SUBSTRATE AND METHOD AND
DEVICE FOR MANUFACTURING LIQUID CRYSTAL DISPLAY DEVICE

[Detailed Description of the Invention]

5 [Field of the Invention]

The present invention relates to a substrate laminating method/apparatus for a liquid crystal display device used in a notebook PC or a display, and a method/apparatus of fabricating a liquid crystal display device.

[Description of the Prior Art]

10 Fig. 6 shows the configuration of a conventional liquid crystal display device. A liquid crystal is hermetically sealed between two substrates 1, 2 by using a seal material. To maintain a gap (hereinafter, referred to as "cell gap") between the substrates, a spacer 5 is inserted between the substrates and distributed therein. Further, though not shown, a TFT device, a transparent electrode, a color
15 filter, or an alignment film is formed between the two substrates.

With reference to Figs. 6 and 3, a conventional fabrication method for such a liquid crystal display device will be explained. Firstly, after the spacer is formed, the two substrates 1, 2 are bonded, and the seal material 22 is applied around the

gap between the substrates 1, 2 and then is hardened, thereby forming an empty cell 21. The seal material 22 has a passage formed in a portion thereof, which is used as an injection port 23.

This empty cell 21 and a vessel containing a liquid crystal 24 therein are
5 installed in a vacuum chamber 20. The vacuum chamber 20 is vacuumed, air is pumped from the empty cell 21, and the liquid crystal 24 is dispensed. After the vacuum pumping is sufficiently proceeded, the injection port 23 of the empty cell is soaked into the liquid crystal 24, and then the vacuum chamber 24 is returned into the atmospheric pressure. Because of the pressure difference between the inside
10 and the outside of the cell, the liquid crystal 24 is injected into the cell through the injection port 23. After being filled with the liquid crystal, the cell is carried out. Then, the injection port 23 is sealed with an ultraviolet curable resin, such that the sealing of the liquid crystal is completed.

In the fabrication method of the liquid crystal display device shown in Fig. 3,
15 so-called vacuum injection method is used to seal a liquid crystal between the substrates. That is to say, after the empty cell 21 is vacuumed, the injection port 23 is made to contact the liquid crystal and the outside thereof is returned into the atmospheric pressure, such that the liquid crystal can be injected therewith because of the pressure difference. However, in this method, it is impossible to make a

perfect zero air pressure inside the cell by just vacuuming through the injection port 23, which means that it is impossible to completely remove air therefrom, so that gas molecules are being attached on an inner surface of the cell. Therefore, as the liquid crystal is injected, the inner pressure is increased so that finally the pressure difference disappears and vapor remains therein at the atmospheric pressure. Since the volume of the remaining gas is larger typically in case of a recent wide 15 inch monitor type of liquid crystal display device, it may occur that the remaining gas reaches an image displaying area of the display device.

Further, since the size of the gap between the two substrates has an order of micrometers, it takes very long time to vacuum such a narrow inside of the cell by pumping out through the injection port. Since it takes so long only to fill the cell with the liquid crystal, it needs about 10hours to complete the liquid crystal sealing after starting the cell vacuuming in case of the aforementioned wide 15 inch liquid crystal display device.

To settle the troubles of the vacuum injection method, Japanese Patent Laid-open No. 1988-109413 or Japanese Patent No. 1996-20627 discloses a dropping injection method.

The method of Japanese Patent Laid-open No. 1988-109413 will be explained with reference to Fig. 4. Firstly, as shown in Fig.4a, a seal material 4 and

a spacer 5 are formed on a substrate 2. Then, as shown in Fig.4b, a required amount of liquid crystal 3 is uniformly contained inside the seal material 4 on a reduced atmosphere condition. Then, as shown in Fig. 4c, the other substrate 1 is stacked to contact the seal material 4. Finally, as shown in Fig. 4d, it is pressurized down to remove an empty space inside the cell. The seal is hardened thereafter so as to complete the liquid crystal sealing.

In this dropping injection method, the substrates on which the liquid crystal is dropped are bonded in a reduced atmosphere, so that much time is saved for vacuuming the cell. Further, because the laminating simultaneously completes sealing of the liquid crystal, there is no time required to inject the liquid crystal. Since the amount of supplied liquid crystal is set equal to the inner volume of the cell, the reduced atmosphere condition is needed during the filling of the liquid crystal so as to prevent an empty space inside the cell. Further, because the inside of cell is opened while reducing atmosphere, vapor attached on an inner surface thereof can be effectively removed. Accordingly, it is difficult for gas to remain inside the cell.

Next, the method of Japanese Patent No. 8-20627 will be explained with reference to Fig. 5. Firstly, as shown in Fig. 5a, a liquid crystal 3 is applied on a substrate 2. At this point, to make the liquid crystal 3 simultaneously reach four

sides of a seal material 4, the liquid crystal is supplied in a smaller same shape but a greater thickness than the seal material 4. Then, as shown in Fig. 5b, the other substrate 1 is stacked to the substrate 2. At this point, the substrate 1 should be made contact the seal material 4 before the spreading liquid crystal 3 reaches the seal material 4. Though contacting the seal material 4 at this state, the substrate 1 swells up because of the thicker liquid crystal 3. Then, as shown in Fig. 5c, by loading weight on the substrates 1, 2, the substrate 1 is made platen and the liquid crystal is pressurized to spread so as to remove any empty space inside the cell.

In this method, the liquid crystal would not leak out of the seal material nor prevent the tight attachment between the seal material and the substrates.

With reference to Fig. 6, it will be explained a conventional method of laminating the substrates 1, 2 used in the aforementioned method (vacuum injection method) for fabricating an liquid crystal display device.

Firstly, by using a laminating apparatus, the substrates 1, 2 are aligned and then bonded while pressing the seal material 22 until the gap size therebetween decreases to a few micrometers. At this point, the seal material is hardened by applying ultraviolet rays, such that both substrates 1, 2 are pre-fixed. Then, by using a gap former, it is pressurized and heated until the gap size between the bonded substrates 1, 2 becomes a particle diameter of the spacer, such that a main

hardening of the seal material is performed using a thermosetting characteristic thereof.

[Problems to be Solved by the Invention]

In the above described liquid crystal display device, the gap size between
5 the two substrates has an order of micrometers, and it becomes more and more thin. Therefore, it is very important in the method to align the substrates parallel to each other without skew during laminating.

In the liquid crystal display device fabrication method using the vacuum injection, since only a mechanical pressing is engaged, a large and expensive
10 equipment is needed to precisely control the parallel relationship between both substrates.

Further, in this method, the pressing of two substrates should be performed both in the process of aligning and pre-fixing and in the process of pressing until the gap size becomes a particle diameter of the spacer. Since, however, there is a
15 great difference in pressure between the two processes, different equipments should be respectively used, and the fabrication time and cost are increased.

Further, also in the dropping injection method, since only a mechanical pressing is engaged, a large and expensive equipment is needed to precisely control the parallel relationship between both substrates.

The present invention is to settle the aforementioned troubles, thereby providing a substrate laminating method/apparatus and an liquid crystal display fabrication method/apparatus by which two substrates are precisely bonded and the productivity can be enhanced.

5 [Means for Solving the Problem]

In accordance with a first embodiment of the present invention, there is provided a method for laminating a couple of substrates at a predetermined gap and with a seal material engaged therebetween, comprising the steps of: placing the couple of substrates respectively on two substrate supports arranged opposite
10 to each other; and gradually increasing pressure in a space located opposite to a substrate-mounting side of at least one of the substrate supports with respect to pressure in another space located between the couple of substrates, thereby making the predetermined gap between the couple of substrates.

In accordance with a second embodiment of the present invention, there is
15 provided a substrate laminating apparatus used for laminating a couple of substrates at a predetermined gap and with a seal material engaged therebetween, comprising: two substrate supports arranged opposite to each other for placing the couple of substrates respectively thereon, wherein a first space and a second space are hermetically formed, the first space including a gap formed between the

couple of substrates respectively placed on the two substrate supports, the second space including at least a portion of a space located opposite to a substrate-mounting side of one of the substrate supports, and wherein pressure of the second space can be varied with respect to pressure of the first space.

5 In accordance with a third embodiment of the present invention, there is provided a method for fabricating an LCD device formed by inserting a liquid crystal between a couple of substrates bonded at a predetermined gap with a seal material engaged therebetween, comprising: a first process of placing the couple of substrates respectively on two substrate supports arranged opposite to each other;
10 and a second process of gradually increasing pressure of a space located opposite to a substrate-mounting side of at least one of the substrate supports with respect to pressure of another space located between the couple of substrates, thereby making the predetermined gap between the couple of substrates.

 In accordance with a fourth embodiment of the present invention, there is
15 provided a method of the third embodiment in which the seal material is made of an ultraviolet curable resin, and the seal material is exposed to ultraviolet rays when the predetermined gap is made in the second process.

 In accordance with a fourth embodiment of the present invention, there is provided a method of the third and the fourth embodiments which comprises a third

process of applying a liquid crystal onto one side of the substrate before the first process; and a fourth process of reducing the pressure of the first and the second space between the first and the second process.

In accordance with a fourth embodiment of the present invention, there is
5 provided a substrate laminating apparatus used for laminating a couple of substrates at a predetermined gap and with a seal material engaged therebetween, which comprises: a first substrate support and a second substrate support arranged opposite to each other for placing the couple of substrates respectively thereon, wherein a first space and a second space are hermetically formed, the first space
10 including a gap formed between the couple of substrates respectively placed on the two substrate supports, the second space including at least a portion of a space located opposite to a substrate-mounting side of one of the substrate supports, and wherein a pressure of the second space can be varied with respect to a pressure of the first space.

15 In accordance with a fourth embodiment of the present invention, there is provided an apparatus of the sixth embodiment in which the second substrate support contacts the first substrate support while surrounding a region where a substrate is placed, so as to form the first space, the apparatus further comprising: a hollow member that contacts the first substrate support while covering the first

space as well as the second substrate support, so as to form the second space between the first and the second substrate support; and elastic members formed on contact portions between the first and the second substrate support as well as between the first substrate support and the hollow member.

5 In accordance with a fourth embodiment of the present invention, there is provided a method for fabricating an LCD device formed by inserting a liquid crystal between a couple of substrates bonded at a predetermined gap with a seal material engaged therebetween, comprising the processes of: applying a liquid crystal on one side of a substrate; placing the couple of substrates respectively on two
10 substrate supports arranged opposite to each other; and reducing pressure of a first space including a gap formed between the couple of substrates respectively placed on the two substrate supports, and pressure of a second space including at least a portion of a space located opposite to a substrate-mounting side of one of the substrate supports, wherein the couple of substrates are bonded with each
15 other by pressing the two substrate supports and thereby pressing the seal material.

[Embodiment of the Invention]

(First Embodiment)

Hereinafter, the present invention will be described with respect to preferred

embodiments of a substrate laminating method, a substrate laminating apparatus, an LCD fabrication method, and an LCD fabrication apparatus method and an apparatus of joining substrates with reference to Fig. 1. In this regard, the following is a description made to a case of fabricating the LCD using a dropping injection
5 method, however, it is understood that the present invention is not limited thereto.

First of all, the following is a description for a manufacturing apparatus used in a preferred embodiment of the present invention.

The apparatus comprises a lower plate 16 (a first substrate support) for loading a substrate, an upper plate 15 (a second substrate support) for loading
10 another substrate, and a hollow member 14 formed as covering the upper plate 15 with a distance therebetween. The upper plate 15 and the hollow member are movable in up and down directions with respect to the lower plate 16 by driving mechanisms (not shown), respectively.

The upper plate 15 has an upright part around a plain part on which the
15 substrate is mounted and an elastic member 15a is provided at a tip end of the upright part. And, when the upper plate 15 is pressurized against the lower plate 16, the elastic member 15a is contacted with the lower plate 16, a space between the upper plate 15 and the lower plate 16 (a first space) is made airtight. Further, the upper plate 15 is movable up and down as described above, and the position

thereof can be precisely controlled along a surface direction of the substrate.

The hollow member 14 includes an upright part enclosing the upper plate 15 and the first space and a plain part, and an elastic member 14b is installed at a tip end of the upright part. When the hollow member 14 is pressurized against the
5 lower plate 16, the elastic member 14b is contacted with the lower plate 16, and a space between the elastic member 14b and the upper plate 15 (a second space) is made airtight.

The lower plate 16 and the upper plate 14 are provided with openings 16a and 14a to vacuum the first and the second spaces, respectively.

10 The upper plate 15 is further provided with a cell-thickness measuring device 11 to measure the cell gap 12 and a light guide 13 to transmit light therethrough.

Hereinafter, it will be described the method of laminating substrates, and a method of making LCD device using the fabricating apparatus.

15 (Step 1) Referring to Fig. 1a, firstly, in a first substrate 1, a liquid crystal, which had been decompressed and then experienced a removal of bobbles, is applied on a rectangular film having a thickness of (5 μ m) defined as same thickness as the liquid crystal layer at the time of the completion of a substrate sealing. And then, a spacer 5 is distributed and a seal material 4 is applied to another substrate

2 (a third process).

A line is drawn with an ultraviolet curable resin to have a width of 0.4 mm and a thickness 25 μ m within a rectangular area spaced by 0.5 mm from an appearance of the liquid crystal to be applied in the seal material 4 by using a dispenser. The seal material 4 does not disturb the appliance of the liquid crystal 3 since the seal material 4 is installed at the substrate 2 without having the liquid crystal applied thereon.

(Step 2) Referring to Fig. 1b, a pair of the substrates 1, 2 are mounted onto the upper and the lower plates 15, 16 so that the surface having the liquid crystal applied thereon is opposed to the surface having the seal material and the spacer installed thereon (a first process).

(Step 3) Referring to Fig. 1c, the hollow member 14 and the upper plate 15 are lowered to press the lower plate 16 with the elastic members 15a, 14b positioned therebetween and then to maintain this state. And, air is pumped from the first space sealed by the upper plate 15 and the lower plate 16 through the opening formed in the lower plate 16 using a first vacuum pump (not shown), to thereby depress the first space below 1 Torr. Simultaneously, air is pumped from the second space sealed by the hollow member 14 and the lower plate 16 through the opening formed in the hollow member using a second vacuum pump (not

shown), to thereby decompress the second space below 20 Torr (a forth process). Accordingly, the gas disolved in the liquid crystal 3 at the time of the appliace thereof and the gas molecules absorbed in the surfaces of the first and the second substates 1,2 are removed by virture of the decompression.

5 Moreover, as described above, a reason of the decompression of the second space is that a sudden high pressure produced from the upper plate 15 may have an adverse effect on the lower plate 16 in case where the first space is decompressed alone, which causes a breakage and a misalignment of the substrates, as will be described hereinafter.

10 (Step 4) The elastic members 15a, 14b are pressurized and the distance between the substrates is approached to 0.5 mm so that both substrates are aligned in a horizontal surface. In this regard, since a space between the substrate 1 and the seal material 4 is formed, there does not occur that the seal material 4 is deviated or contacted with the liquid crystal owing to the alignment. And, such an
15 alignment is carried out within the deformable range of the elastic members 15a, 14b.

(Step 5) Referring to Fig. 1d, while measuring the cell gap 12 with the cell-thickness measuring device 11 in a portion having the liquid crystal therein, the driver for moving up and down directions is disengaged from the upper plate 15

and the upper plate is pressurized against the lower plate 16 with the weight itself of the upper plate and the pressure difference between the first and the second spaces.

(Step 6) And then, as air is provided through the opening 14a, a pressure
5 in the second space is gradually increased accordingly (a second process).
Therefore, two substrates 1, 2 are slowly pressurized facing each other. At this
time, the elastic member 15a is pressured, but is retained in an elastic area, so
that the seal material 4 between the substrates 1, 2 is pressed, to thereby bond
them. The seal material 4 is pressed to be from 25 μm to 5 μm to thereby expand a
10 line width from 0.4 mm to 2 mm.

The inner side of the seal material 4 before being pressurized has a
distance 0.5 mm from the liquid crystal 3. The seal material 4 is expanded in and
out to fill in the space between the liquid crystal 3 and the seal material 4. As the
seal material is outwardly expanded as the liquid crystal if the liquid crystal 3 is, if
15 the expansion is fall in this extent, it is possible to remedy the position difference
induced by the ununiformity of the amount of the liquid crystals and the alignment
of the upper and the lower substrates without being pushing and flowing the bubble
and the seal material.

Although the liquid crystal 3 is applied by a thickness defined by the cell

gap, the liquid crystal would not closely attached to the entire surface of the substrate without providing the pressurization thereto owing to the resistance of the seal material and the spacer. Therefore, if the pressurization is applied slowly while actually measuring the cell gap, it is possible to devoid the cell gap difference
5 caused by an excessive pressure or a lack of the pressurization.

In a vacuum injection method, the liquid crystal does not exist at the time of laminating the empty cells, and an air layer of several μm can not be precisely measured. And, because the vacuum injection method does not measure the cell thickness, but control the cell gap while experientially changing the injection time,
10 the ununiformity of individual cells entails a cell gap error. However, according to the dropping injection of the present invention, it is possible to devoid the cell gap error as described above.

A device to measure an obstacle used to measure the cell gap after the liquid crystal injection is applicable to the cell-thickness measuring device.

15 (Step 7) When it is satisfied that the layer of the liquid crystal has a predetermined thickness, ultraviolet rays are irradiated to the seal material 4 to cure it. The ultraviolet rays are irradiated only to the seal material from the rear surface of the substrate through the light guide 13, without being radiated to the liquid crystal
3.

(Step 8) First of all, the decompression of the first space is removed to return into an atmospheric pressure, the second space is leaked to return into an atmospheric pressure, the upper plate 15 and the hollow member 14 are driven upward to pull out the bonded substrates, thereby completing the sealing of the
5 substrates.

Further, the ultraviolet curable resin used in the seal material is not completely hardened by the ultraviolet rays for a short time. Thus the bonded substrates, which have been bonded by the above sequences, is placed at a UV furnace, the portion of the liquid crystal is irradiated by the ultraviolet rays for
10 several minutes to several tens minutes using a mask to completely harden it. Further, in order to speed up the hardening, it is preferred to heat the bonded substrated at about 10°C to 50°C over a room temperature. However, if overheating is made, there may possibly occur a position difference between the two substrates due to a thermal expansion or a bent of the substrates to separate
15 the substrates. Therefore, it is necessary to heat the substrates in the range without incurring the above problem.

As described above, according to the embodiment of the present invention, the power exerted by the pressure difference is pressurized to the substrates. Therefore, it is possible to bond the substrates by evenly applying the pressure to

the substrates with a simple arrangement and to prevent the unevenness of the cell thickness. Because the power to be applied can be slowly and highly changed by slowly changing the pressure difference, it is possible to determine the gap between the substrates using only any one of the pressurization apparatuses
5 without destoring the substrates, which results an improvement of a productivity as well as a reduction of manufacturing cost.

(Second Embodiment)

Hereinafter, another embodiment of the present invention will be described with reference to Fig. 1. In this regard, the description of the second embodiment is
10 made to a case of fabricating the LCD using a dropping injection method, however, it is understood that the present invention is not limited thereto.

First of all, the following is a description for a manufacturing apparatus used in a preferred embodiment of the present invention.

The apparatus comprises a lower plate (a first substrate support) 16 for
15 loading a substrate, an upper plate (a second substrate support) 45 for loading the other substrate, and a hollow member 44 formed as covering the upper plate 45 with a distance therebetween. The upper plate 45 and the hollow member 44 are movable in up and down directions with respect to the lower plate 16 by driving mechanisms (not shown), respectively.

The upper plate 45 has an upright part around a plain part on which the substrate is mounted and a triangular protrusion 45a in its cross section is installed at a tip end of the upright part. And, the upper plate 15 is movable up and down as described above, and the position thereof can be precisely controlled along a surface direction of the substrate.

The hollow member 44 includes an upright part enclosing the upper plate 45 and a plain part, and a triangular protrusion 44b in its cross section is installed at a tip end of the upright part.

The lower plate 46 has elastic members 46a, 46b at positions corresponding to the triangular protrusion 45a, 46b. And, when the upper plate 45 is pressurized against the lower plate 16 (that is, the protrusion 45a is pressurized against the elastic member 46b), a space between the upper plate 45 and the lower plate 416 (a first space) is made airtight. Further, when the hollow member 44 is pressurized against the lower plate 46 (that is, the protrusion 44b is pressurized against the elastic member 46b), a space between the hollow member 44 and the upper plate 45 (a second space) is made airtight.

The lower plate 16 and the upper plate 14 are provided with openings 46a and 44a to vacuum the first and the second spaces, respectively.

The upper plate 45 is further provided with a cell-thickness measuring

device 11 to measure the cell gap 32 as similar as in Fig. 1d, and a light guide 33 to transmit light therethrough.

Hereinafter, it will be described the method of laminating substrates, and a method of making LCD device using the fabricating apparatus.

5 (Step 11) Referring to Fig. 2a, firstly, in a first substrate 1, a liquid crystal, which had been decompressed and then experienced a removal of bobbles, is applied on a rectangular film having a thickness of ($5\mu\text{m}$) defined as same thickness as the liquid crystal layer at the time of the completion of a substrate sealing. And then, a spacer 35 is distributed and a seal material 34 is applied to another
10 substrate 2 (a third process).

A line is drawn with an ultraviolet curable resin to have a width of 0.4 mm and a thickness $25\mu\text{m}$ within a rectangular area spaced by 0.5 mm from an appearance of the liquid crystal to be applied in the seal material 34 by using a dispenser. The seal material 34 does not disturb the appliance of the liquid crystal 3
15 since the seal material 34 is installed at the substrate 2 without having the liquid crystal applied thereon.

(Step 12) Referring to Fig. 2b, a pair of the substrates 1, 2 are mounted onto the upper and the lower plates 45, 46 so that the surface having the liquid crystal applied thereon is opposed to the surface having the seal material 34 and

the spacer 35 installed thereon (a first process).

(Step 13) Referring to Fig. 2c, the hollow member 44 and the upper plate 45 are lowered to pressurize the protrusions 45a, 44b on the elastic member 46b of the lower plate 16 and then to maintain this state. And, air is pumped from the first
5 space sealed by the upper plate 45 and the lower plate 46 through the opening 46a formed in the lower plate 46 using a first vacuum pump (not shown), to thereby depress the first space below 1 Torr. Simultaneously, air is pumped from the second space sealed by the hollow member 44 and the lower plate 46 through the opening 44a formed in the hollow member 14 using a second vacuum pump (not
10 shown), to thereby depress the second space below 20 Torr (a forth process). Accordingly, the gas disolved in the liquid crystal 3 at the time of the appliance thereof and the gas molecules absorbed in the surfaces of the first and the second substrates 1, 2 are removed by virtue of the decompression.

(Step 14) The elastic members 46b are pressurized and the distance
15 between the substrates 1, 2 is approached to 0.5 mm so that both substrates are aligned in a horizontal surface. In this regard, since a space between the substrate 1 and the seal material 4 is formed, there does not occur that the seal material 4 is deviated or contacted with the liquid crystal 3 owing to the alignment. And, such an alignment is carried out within the deformable range of the elastic member 46b.

(Step 15) Referring to Fig. 2d, while measuring the cell gap 32 using the cell-thickness measuring device 31 in a portion having the liquid crystal therein, the driver for moving up and down directions is disengaged from the upper plate 45, and the upper plate 45 is pressurized against the lower plate 46 with the weight
5 itself of the upper plate and the pressure difference between the first and the second spaces (a second process).

(Step 16) And then, as air is provided through the opening 44a, a pressure in the second space is gradually increased accordingly. Therefore, two substrates 1, 2 are slowly pressurized facing each other. At this time, the elastic member 46b
10 is pressurized, but is retained in an elastic area, so that the seal material 34 between the substrates 1, 2 is pressed, to thereby bond them. The seal material 4 is pressed to be from $25\mu\text{m}$ to $5\mu\text{m}$ to thereby expand a line width from 0.4 mm to 2 mm.

The inner side of the seal material 34 before being pressurized has a
15 distance 0.5 mm from the liquid crystal 3. The seal material 34 is expanded in and out to fill in the space between the liquid crystal and the seal material. As the seal material is outwardly expanded as the liquid crystal if the liquid crystal 3 is, if the expansion is fall in this extent, it is possible to remedy the position difference induced by the nonuniformity of the amount of the liquid crystals and the alignment

of the upper and the lower substrates without being pushing and flowing the bubble and the seal material.

Although the liquid crystal 3 is applied by a thickness defined by the cell gap, the liquid crystal would not closely attached to the entire surface of the substrate without providing the pressurization thereto owing to the resistance of the seal material 34 and the spacer 5. Therefore, as the pressurization is applied slowly while actually measuring the cell gap, it is possible to devoid the cell gap error caused by an excessive pressure or a lack of the pressurization.

(Step 17) The driver of the upper plate 45 is engaged, to settle the up and down operations of the upper plate. And, a pressure in the second space is increased. At this time, if there exists a decompression space between the seal material 34 and the liquid crystal 33, the seal material 34 is continued to flow until filling in the decompression space because the seal material 34 is liquid if it does not hardened upto present.

(Step 18) When it is satisfied that the layer of the liquid crystal has a predetermined thickness, ultraviolet rays are irradiated to the seal material 34 to cure it. The ultraviolet rays are irradiated only to the seal material from the rear surface of the substrate through the light guide 33, without being radiated to the liquid crystal 3.

(Step 19) First of all, the decompression of the first space is removed to return into an atmospheric pressure, the second space is leaked to return into an atmospheric pressure, the upper plate 45 and the hollow member 44 are driven upward to pull out the bonded substrates, thereby completing the sealing of the
5 substrates.

Further, the ultraviolet curable resin used in the seal material is not completely hardened by the ultraviolet rays for a short time. Thus the bonded substrates, which have been bonded by the above sequences, is placed at a UV furnace, the portion of the liquid crystal is irradiated by the ultraviolet rays for
10 several minutes to several tens minutes using a mask to completely harden it. Further, in order to speed up the hardening, it is preferred to heat the bonded substrated at about 10°C to 50°C over a room temperature. However, if overheating is made, there may possibly occur a position difference between the two substrates due to a thermal expansion or a bent of the substrates to separate
15 the substrates. Therefore, it is necessary to heat the substrates in the range without incurring the above problem.

As described above, according to the embodiment of the present invention, the power exerted by the pressure difference is pressurized to the substrates. Therefore, it is possible to bond the substrates by evenly applying the pressure to

the substrates with a simple arrangement and to prevent the unevenness of the cell thickness. Because the power to be applied can be slowly and highly changed by slowly changing the pressure difference, it is possible to determine the gap between the substrates using only any one of the pressurization apparatuses
5 without destoring the substrates, which results an improvement of a productivity as well as a reduction of manufacturing cost.

In addition, in the dropping injection method, when the first space used for removing bubbles is decompressed, the second space is also decompressed. Accordingly, none of sudden pressure is applied to the space between the
10 substrates; it is possible to prevent the damage of the substrates. Moreover, it is possible to determine the gap between the substrates.

The embodiments of the present invention as described above are illustrated with respect to the substrate laminating method and apparatus; and an LCD fabrication method and apparatus, and various modifications are possible.
15 Following is a description of the examples of the modification.

(1) The substrate laminating method and apparatus of the present invention is applicable to the joining of substrates used in LCD device as well as the joining of substrates used in plasma display or the like and the other application.

(2) The substrate laminating method and apparatus are not limited to

comply the dropping injection method and are applicable to the vacuum injection method.

(3) There is no need to form the first and the second space as in the first and the second embodiments of the present invention. It is preferred to form the first space by hermetically sealing any space including the space between
5 substrates using any appropriate shape, and to form the second space by sealing any space including at least a portion opposing to a substrate holding part in the substrate holding member (either the upper plate or the lower plate) using any appropriate shape.

10 (4) The method described in the first and the second embodiments can be modified with a design and an application. For example, the embodiment described that the seal material and liquid crystal film are installed in separate substrates, but it is possible to install same substrate. Further, it is preferred that the pressure of the first and the second spaces are set so that the pressure to the substrates is
15 appropriate, and the timings to the decompression and the pressurization are not constrained to the embodiments.

[Effect of the Invention]

According to the substrate laminating method and apparatus, it is possible to uniformly apply the pressurization to the substrates without using a precise

pressurization device, to thereby achieve an ease joining and a shortened time of the substrate.

According to the substrate laminating method and apparatus, it is possible to uniformly apply the pressurization to the substrates without using a precise
5 pressurization device, to thereby achieve an improvement of productivity as well as a reduction of manufacturing cost of manufacturing the liquid crystal display device, which is free from the ununiform cell thickness and the bubble leaked from the liquid crystal.

Further, according to the manufacturing method and apparatus of the liquid
10 crystal display device, because the second space is also decompressed when the first space used for removing bubbles is decompressed, there is none of sudden pressure to be applied to the space between the substrates; further, it is possible to prevent the damage of the substrates. Moreover, it is possible to determine the gap between the substrates.

[Description of Drawings]

Fig. 1 shows a method of fabricating a liquid crystal display device according to a preferred embodiment of the present invention;

Fig. 2 illustrates a method of fabricating a liquid crystal display device
5 according to another preferred embodiment of the present invention;

Fig. 3 describes a diagram illustrating a conventional prior art vacuum injection method;

Fig. 4 describes a diagram illustrating a conventional dropping injection method;

10 Fig. 5 describes a diagram illustrating another conventional vacuum injection method; and

Fig. 6 depicts a structure of a typical liquid crystal display device.

[Meaning of numerical symbols in the drawings]

- | | | |
|----|--|--------------------|
| | 1, 2 : substrate | 3 : liquid crystal |
| 15 | 4, 34 : seal material | 5 : spacer |
| | 11, 31 : cell-thickness measurement device | 12, 32 : cell gap |

13, 33 : light guide

14, 44 : hollow member

14a, 44a : opening

14b : elastic member

15, 45 : upper plate

15a, 45a : elastic member

16, 46 : lower plate

16a, 46a : opening

5

44b, 45a : protrusion

46b : elastic member

(19) 日本国特許庁 (J P)

(12) 公開特許公報 (A)

(11) 特許出願公開番号

特開2001-255542

(P2001-255542A)

(43) 公開日 平成13年9月21日 (2001.9.21)

(51) Int.Cl. ⁷	識別記号	F I	テーム(参考)
G 0 2 F 1/1339	5 0 5	C 0 2 F 1/1339	5 0 5 2 H 0 8 9
	1/1341		5 G 4 3 5
G 0 9 F 9/00	3 3 8	C 0 9 F 9/00	3 3 8

審査請求 未請求 請求項の数 8 O L (全 9 頁)

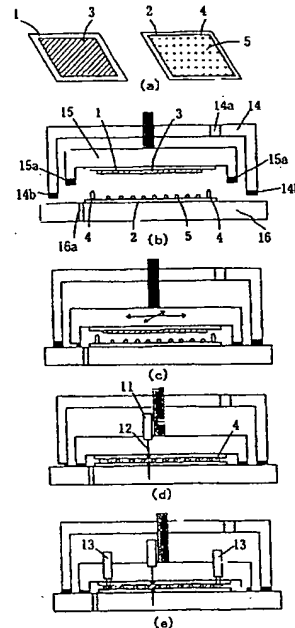
(21) 出願番号	特願2000-69653(P2000-69653)	(71) 出願人	00000:049 シャープ株式会社 大阪府大阪市阿倍野区長池町22番22号
(22) 出願日	平成12年3月14日(2000.3.14)	(72) 発明者	山本 裕一 大阪府大阪市阿倍野区長池町22番22号 シャープ株式会社内
		(74) 代理人	10010:277 弁理士 佐々木 晴康 (外2名)
		Fターム(参考)	2H089 LA07 MA04Y NA09 NA22 NA25 NA32 NA33 NA42 NA44 NA49 NA50 NA55 NA56 NA60 QA12 QA15 TA07 TA09 5G435 AA00 AA17 BB12 EE33 FF00 FF01 KK05 KK10 LL07

(54) 【発明の名称】 基板貼り合わせ方法及び基板貼り合わせ装置、並びに、液晶表示素子の製造方法及び製造装置

(57) 【要約】

【課題】 精密なプレス機構を用いることなく、2枚の基板間の押圧力を基板全体に均一にかけることができ、精密な基板貼り合わせを容易に且つ短時間に行える基板貼り合わせ方法、貼り合わせ装置、並びに液晶表示素子の製造方法、製造装置を提供する。

【解決手段】 まず、上定盤15と下定盤16にそれぞれ基板1、2を載置する。上定盤15及び中空部材14を下定盤16上に降ろし、第1の空間A、第2の空間Bを減圧する。上定盤15の駆動機構を解除し、第2の空間Bを徐々に加圧することにより、第1の空間Aとの圧力差により上定盤15を下定盤16に押圧する。セルギャップ12が所定値となったところで、導光路13からシール材4に紫外線を照射してシール材4を硬化させる。



【特許請求の範囲】

【請求項1】 一对の基板を所定間隔でシール材を介して貼り合わせる基板貼り合わせ方法において、前記一对の基板を、対向して配置された2つの基板支持台上に載置し、

少なくとも一方の前記基板支持台の基板搭載側とは反対側に位置する空間の圧力を、前記一对の基板の間の空間の圧力に対して徐々に高めていくことにより、前記シール材を押しつぶして、前記一对の基板間間隔を前記所定間隔とすることを特徴とする基板貼り合わせ方法。

【請求項2】 一对の基板を所定間隔でシール材を介して貼り合わせる基板貼り合わせ装置において、前記一对の基板を載置する、対向して配置された2つの基板支持台を備え、

前記2つの基板支持台に搭載する基板の間を含む第1の空間、及び、一方の前記基板支持台の基板搭載側とは反対側の空間の一部を少なくとも含む第2の空間が密閉可能に形成されており、

且つ、第1の空間の圧力に対する第2の空間の圧力が可変に形成されていることを特徴とする基板貼り合わせ装置。

【請求項3】 シール材を介して所定間隔で貼り合わせられた一对の基板間に、液晶が挿入されてなる液晶表示素子の製造方法において、

前記一对の基板を、対向して配置された2つの基板支持台上に載置する第1工程と、

少なくとも一方の前記基板支持台の基板搭載側とは反対側に位置する第2の空間の圧力を、前記一对の基板の間の第1の空間の圧力に対して徐々に高めていくことにより、前記シール材を押しつぶして、前記一对の基板の間隔を前記所定間隔とする第2工程と、を含むことを特徴とする液晶表示素子の製造方法。

【請求項4】 請求項3に記載の液晶表示素子の製造方法において、

前記シール材は紫外線硬化型の樹脂からなり、第2工程において前記一对の基板の間隔が前記所定間隔となったときに、前記シール材に紫外線を照射することを特徴とする液晶表示素子の製造方法。

【請求項5】 請求項3または請求項4に記載の液晶表示素子の製造方法において、

第1工程の前に、前記基板の一方に液晶を塗布する第3工程を含むとともに、

第1工程と第2工程の間に、第1の空間及び第2の空間を減圧する第4工程を含むことを特徴とする液晶表示素子の製造方法。

【請求項6】 シール材を介して所定間隔で貼り合わせられた一对の基板間に、液晶が挿入されてなる液晶表示素子の製造装置において、

前記一对の基板を載置する、対向して配置された第1基板支持台、第2基板支持台を備え、

前記2つの基板支持台に搭載する基板の間を含む第1の空間、及び、一方の前記基板支持台の基板搭載側とは反対側の空間の一部を少なくとも含む第2の空間が密閉可能に形成されており、

且つ、第1の空間の圧力に対する第2の空間の圧力が可変に形成されていることを特徴とする液晶表示素子の製造装置。

【請求項7】 請求項6に記載の液晶表示素子の製造装置において、

第2基板支持台は、基板を載置する領域を取り囲み第1基板支持台に当接することで第1の空間を形成し、

第1の空間及び前記第2基板支持台を覆い、第1の基板支持台と当接することで第2の基板支持台及び第1の基板支持台との間に第2の空間を形成する中空部材を有しており、

第2の基板支持台と第1の基板支持台との接触部分、及び、前記中空部材と第1の基板支持台との接触部分に、弾性部材を有することを特徴とする液晶表示素子の製造装置。

【請求項8】 シール材を介して貼り合わせられた一对の基板間に、液晶が挿入されてなる液晶表示素子の製造方法において、

前記基板の一方に液晶を塗布する工程と、

前記一对の基板を、対向して配置された2つの基板支持台上に載置する工程と、

前記2つの基板支持台に搭載する基板の間を含む第1の空間、及び、一方の前記基板支持台の基板搭載側とは反対側の空間の一部を少なくとも含む第2の空間と、を減圧する工程と、

2つの基板支持台間を押しつぶすことで、前記シール材を押しつぶし、前記一对の基板を貼り合わせることを特徴とする液晶表示素子の製造方法。

【発明の詳細な説明】

【0001】

【発明の属する技術分野】本発明は、ノートパソコンやディスプレイに用いられる液晶表示素子等における基板の貼り合わせ方法及び貼り合わせ装置、並びに液晶表示素子の製造方法、製造装置に関するものである。

【0002】

【従来の技術】一般的な液晶表示素子の構造を図6に示す。2枚の基板1、2の間に液晶3がシール材4によって封入された構造をしている。液晶が封入される基板の間隔（以下セルギャップ）を保持するため、スペーサ5が基板間に多数分布して挟持されている。更に、2枚の基板には図示しないTFT素子や透明電極、カラーフィルター、配向膜等が設けられている。

【0003】このような液晶表示素子の一般的な製造方法について図6、図3を用いて説明する。まず、予めスペーサを散布した状態で2枚の基板1、2を貼り合わせ、基板1、2間の周囲に設けておいたシール材22を

硬化させて、空セル21を製作する。シール材22には一部に開口が設けておき、注入口23とする。この空セル21と容器に入れた液晶24を、真空チャンバー20内に設置する。真空チャンバー20内を真空排気し、空セル21内を脱気し、液晶24を脱泡する。真空排気を充分行った後、空セルの注入口23を液晶24に浸漬し、真空チャンバー20内を大気圧に戻す。セル内外の圧力差により、液晶24が注入口23よりセル内に浸透する。液晶がセル内に充填された後、セルを取り出し、注入口23をUV硬化樹脂で封止し、液晶の封入を完了する。

【0004】図3の液晶表示素子の製造方法では、基板間に液晶を封入する方法としては、いわゆる真空注入法を使用している。すなわち、空セル21内を真空にした後、液晶を注入口23に接触させ外部を大気圧にすることにより液晶を内外の圧力差によって注入している。しかしながら、この方法では注入口23からの排気により、セル内部を完全な0気圧すなわち気体分子が存在しない状態にすることは不可能であり、セル内面に吸着された気体分子が存在する。よって、液晶が注入されるにしたがって内部の圧力が上昇し、やがて圧力差が無くなり大気圧の気泡が残留する。特に、近年の対角15インチ以上のモニター用液晶表示素子においては残留する気体の体積が大きくなり、表示素子の映像表示範囲に及ぶことがあり問題となっている。

【0005】また、2枚の基板の間隔は μm オーダーであり、このような狭い間隔のセル内部を注入口からの排気によって真空にするには、非常に長い時間がかかる。同様に液晶を充填するにも時間がかかり、前述の対角15インチの液晶表示素子でセル排気から液晶封入完了までに10時間程度の長時間を要していた。

【0006】この真空注入法における問題点を解決する方法として、特開昭63-109413号公報や特公平8-20627号公報にあげられる滴下注入法がある。

【0007】特開昭63-109413号公報の方法について図4を用いて説明する。まず、図4(a)に示すように、一方の基板2にシール材4及びスペーサ5を設ける。次に、図4(b)に示すように、減圧下でシール材4の内側に所要量の液晶3を均一に載せる。続いて、図4(c)に示すように、他方の基板1をシール材4に接するよう重ね合わせる。最後に、図4(d)に示すように、セル内に空間が残らないよう押圧する。しかる後シールを硬化し、液晶の封入を完了する。

【0008】この滴下注入法によれば、減圧された空間において液晶を滴下した基板を貼り合わせるにより、セル内部が2枚の基板が貼り合される前に真空引きされるため、セル内部を真空にする時間が大幅に短縮される。また、貼り合わせと同時に液晶封入が完了する為、液晶を注入する時間がなくなる。液晶の供給量をセル内部の空間と同じにすることにより、セル内部に空間が無

いよう減圧下で液晶が充填される。また、セル内面が開放状態で減圧される為、内面に吸着する気体分子の除去も効果的に行われる。よってセル内部に残留する気体も発生し難くなる。

【0009】次に、特公平8-20627号公報の方法について図5を用いて説明する。まず、図5(a)に示すように、一方の基板2に液晶3を塗布する。ここで、液晶3がシール材4に到達する時間がシール材全周において同じになるよう、液晶の供給形状をシール材4と小型相似形かつシール材より厚い量とする。次に、図5(b)に示すように、基板1と上記基板2を重ね合わせる。このとき、液晶3が広がってシール材4に到達する前に、基板1がシール材4に接するようにする。この状態で基板1はシール材4に接しているが、液晶3の層が厚いため膨らんでいる。続いて、図5(c)に示すように、基板1、2に加重をかけて基板1を平坦にし、セル内に空間が無くなるよう液晶3を押し広げる。

【0010】この方法によれば液晶がシール材を流したり、シール材と基板の密着を妨げることが無い。

【0011】以上説明した液晶表示素子の製造方法(真空注入法)における基板1、2の貼り合わせ方法の従来例を、図6を使用して説明する。

【0012】まず、貼り合わせ装置にて、基板1、2を位置合わせした状態で、その間隔が数 μm 程度となるまで、シール材22を押しつぶしながら貼り合わせる。ここで、紫外線を照射することでシール材を硬化させて、両基板1、2を仮固定する。次に、ギャップ成形機により、貼り合わされた基板1、2の間隔がスペーサの粒径になるまで加熱しながらプレスして、シール材の熱硬化成分を利用して、シール材を本硬化させる。

【0013】【発明が解決しようとする課題】上述したような液晶表示素子において、2枚の基板の間隔は μm オーダーであり、更に薄型化する傾向にある。このため、上記製造方法においては、基板を傾きなく平行に位置合わせして貼り合わせる事が非常に重要となってきている。

【0014】上記した真空注入法における液晶表示素子の製造方法においては、両基板を単に機械的にのみ押圧するため、両基板の平行度を精密に制御するには、大型の高価な装置を用いる必要があった。

【0015】また、この方法では、2つの基板間の押圧を、位置合わせして仮固定する工程と、ギャップがスペーサの粒径になるまでプレスする工程の両方において行う必要があるが、これらでは基板間に加える圧力が大きく相違するため、異なる装置を使用する必要があり、製造時間がかかるとともにコストアップを齎していた。

【0016】また、上述した滴下注入法の場合にも同様に両基板を単に機械的にのみ押圧するため、両基板の平行度を精密に制御するには、大型の高価な装置を用いる必要があった。

【0017】本発明は、以上の課題を解決するものであって、2枚の基板を貼り合わせを精密に且つ生産性良く行える基板の貼り合わせ方法及び貼り合わせ装置、並びに、液晶表示素子の製造方法及び製造装置を提供するものである。

【0018】

【課題を解決する手段】第1の発明の基板貼り合わせ方法は、一对の基板を所定間隔でシール材を介して貼り合わせる基板貼り合わせ方法において、前記一对の基板を、対向して配置された2つの基板支持台上に載置し、少なくとも一方の前記基板支持台の基板搭載側とは反対側に位置する空間の圧力を、前記一对の基板の間の空間の圧力に対して徐々に高めていくことにより、前記シール材を押しつぶして、前記一对の基板間間隔を前記所定間隔とすることを特徴とする。

【0019】第2の発明の基板貼り合わせ装置は、一对の基板を所定間隔でシール材を介して貼り合わせる基板貼り合わせ装置において、前記一对の基板を載置する、対向して配置された2つの基板支持台を備え、前記2つの基板支持台上に搭載する基板の間を含む第1の空間、及び、一方の前記基板支持台の基板搭載側とは反対側の空間の一部を少なくとも含む第2の空間が密閉可能に形成されており、且つ、第1の空間の圧力に対する第2の空間の圧力が可変に形成されていることを特徴とする。

【0020】第3の発明の液晶表示素子の製造方法は、シール材を介して所定間隔で貼り合わせられた一对の基板間に、液晶が挿入されてなる液晶表示素子の製造方法において、前記一对の基板を、対向して配置された2つの基板支持台上に載置する第1工程と、少なくとも一方の前記基板支持台の基板搭載側とは反対側に位置する第2の空間の圧力を、前記一对の基板の間の第1の空間の圧力に対して徐々に高めていくことにより、前記シール材を押しつぶして、前記一对の基板の間隔を前記所定間隔とする第2工程と、を含むことを特徴とする。

【0021】第4の発明の液晶表示素子の製造方法は、第3の発明の液晶表示素子の製造方法において、前記シール材は紫外線硬化型の樹脂からなり、第2工程において前記一对の基板の間隔が前記所定間隔となったときに、前記シール材に紫外線を照射することを特徴とする。

【0022】第5の発明の液晶表示素子の製造方法は、第3または第4の発明の液晶表示素子の製造方法において、第1工程の前に、前記基板の一方に液晶を塗布する第3工程を含むとともに、第1工程と第2工程の間に、第1の空間及び第2の空間を減圧する第4工程を含むことを特徴とする。

【0023】第6の発明の液晶表示素子の製造装置は、シール材を介して所定間隔で貼り合わせられた一对の基板間に、液晶が挿入されてなる液晶表示素子の製造装置において、前記一对の基板を載置する、対向して配置さ

れた第1基板支持台、第2基板支持台を備え、前記2つの基板支持台上に搭載する基板の間を含む第1の空間、及び、一方の前記基板支持台の基板搭載側とは反対側の空間の一部を少なくとも含む第2の空間が密閉可能に形成されており、且つ、第1の空間の圧力に対する第2の空間の圧力が可変に形成されていることを特徴とする。

【0024】第7の発明の液晶表示素子の製造装置は、第6の発明の液晶表示素子の製造装置において、第2基板支持台は、基板を載置する領域を取り囲み第1基板支持台に当接することで第1の空間を形成し、第1の空間及び前記第2基板支持台を覆い、第1の基板支持台と当接することで第2の基板支持台及び第1の基板支持台との間に第2の空間を形成する中空部材を有しており、第2の基板支持台と第1の基板支持台との接触部分、及び、前記中空部材と第1の基板支持台との接触部分に、弾性部材を有することを特徴とする。

【0025】第8の発明の液晶表示素子の製造方法は、シール材を介して貼り合わせられた一对の基板間に、液晶が挿入されてなる液晶表示素子の製造方法において、前記基板の一方に液晶を塗布する工程と、前記一对の基板を、対向して配置された2つの基板支持台上に載置する工程と、前記2つの基板支持台上に搭載する基板の間を含む第1の空間、及び、一方の前記基板支持台の基板搭載側とは反対側の空間の一部を少なくとも含む第2の空間と、を減圧する工程と、2つの基板支持台間を押しつぶすことで、前記シール材を押しつぶし、前記一对の基板を貼り合わせることを特徴とする。

【0026】

【発明の実施の形態】(実施の形態1)以下、本発明における基板の貼り合わせ方法、貼り合わせ装置、並びに、液晶表示素子の製造方法及び製造装置の一実施の形態に関し、図1を用いて説明する。なお、ここでは、上述した滴下注入法にて液晶表示素子を製造する場合について説明するが、これに限るものではない。

【0027】まず、本実施の形態で使用する製造装置について説明する。

【0028】本製造装置は、一方の基板を載置する下定盤(第1基板支持台)16、他方の基板を載置する上定盤(第2基板支持台)15、及び、該上定盤15を隙間を介して覆うように形成された中空部材14を有している。上定盤15及び中空部材14は、それぞれ図示していない駆動系により下定盤16に対して上下方向に移動可能となっている。

【0029】上定盤15は、基板を搭載する平坦領域の周囲に立設部を有しており、その立設部の先端には弾性部材15aが設けられている。そして、上定盤15を下定盤16上に押し压したときに、上記弾性部材15aが下定盤16に当接し、上定盤15と下定盤16との間の空間(第1の空間)は気密となるようになっている。また、上定盤15は上記のように上下移動可能であると

もに、基板の面方向には精密位置調整できるようになっている。

【0030】中空部材14は、上定盤15及び第1の空間を取り囲む立設部及び平坦部を有し、立設部の先端には弾性部材14bが設けられている。中空部材14は下定盤16上に押圧されたときに、弾性部材14bが下定盤16に接触し、中空部材14と上定盤15との間の空間(第2の空間)が気密となるように形成されている。

【0031】下定盤16及び上定盤14には、それぞれ孔16a、14aが形成されており、それぞれ第1の空間、第2の空間を真空排気できるようになっている。

【0032】また、上定盤15には、図1(d)に示すようにセルギャップ12を計測するためのセル厚計11が備えられているとともに、光を透過させるための導光路13が備えられている。

【0033】以下、上記製造装置を用いた基板貼り合わせ方法、液晶表示素子製造方法を説明する。

【0034】(ステップ1) 図1(a)を参照して、まず、一方の基板1に、封入完了時の液晶層と同じ大きさで、規定の液晶層厚(5 μ m)の矩形膜状に、予め減圧して脱泡処理を行った液晶を塗布する。もう一方の基板2には、スペーサ5の散布とシール材4の塗布を行う(第3工程)。

【0035】シール材4には紫外線硬化樹脂を用い、ディスプレイ幅0.4mm厚さ25 μ mの線で、内寸が塗布液晶外形から各辺0.5mm間隔を開けた矩形枠に描画する。シール材4は液晶3を塗布しない側の基板2に設けるので液晶3の塗布の妨げとはならない。

【0036】(ステップ2) 図1(b)を参照して、この一組の基板1、2を、液晶塗布した面とシール材・スペーサを設けた面を対向させるように、それぞれ上定盤15、下定盤16に搭載する(第1工程)。

【0037】(ステップ3) 図1(c)を参照して、上定盤15と中空部材14を下降させ、弾性部材15a、14bを介して下定盤16に押圧し、その状態を保持する。そして、上定盤15と下定盤16で密閉された第1の空間を下定盤に設けられた孔16aから第1の真空ポンプ(図中に示さず)で脱空することで第1の空間を1 Torr以下に減圧する。それと同時に中空部材14と下定盤16で密閉された第2の空間も中空部材14に設けられた孔14aから第2の真空ポンプ(図中に示さず)で脱空することで第2の空間を20 Torr以下に減圧する(第4工程)。これにより、塗布時に液晶3に溶け込んだ気体や基板1、2の表面に吸着された気体分子を減圧によって除去する。

【0038】なお、上述のように第2の空間をも減圧するのは、第1の空間のみ減圧すると、上定盤15から下定盤16に大きな圧力が急激に生じるため、基板の破損等が生じる恐れがあり、また後述する位置合わせができなくなるからである。

【0039】(ステップ4) 弾性部材15a、14bを押圧して、基板1と基板2の間隔を0.5mmまで接近させ、2枚の基板を水平面内で位置合わせする。このとき、シール材4と基板1の間には隙間が開いており、位置合わせによってシール材4がずれたり、液晶3に接触したりすることはない。なお、この位置合わせは、弾性部材15a、14bの変形の範囲内で行う。

【0040】(ステップ5) 図1(d)を参照して、液晶3が存在する部分においてセル厚計11でセルギャップ12を計測しながら、上定盤15の上下方向の駆動部を解除し、第1の空間と第2の空間の圧力差と上定盤部の自重で上定盤15を下定盤16に押圧する。

【0041】(ステップ6) そして、孔14aから空気を流入させて、第2の空間の圧力を徐々に増加させる(第2工程)。これにより、2枚の基板1、2は全面で徐々に加圧される。このとき、弾性部材15aも押圧されるが、また弾性域にあるため、基板1、2間のシール材4が押しつぶされ貼り合わせが行われる。シール材4は25 μ mから5 μ mまでつぶされ、線幅が0.4mmから2mmに広がる。

【0042】つぶれる前のシール材4の内側は液晶3から0.5mm間隔を開けているが、シール材が内外に広がり液晶とシール材の空間が埋められる。液晶があればシール材はその分外側へ広がるので、この広がりの範囲内であれば、気泡やシール材の押し流しを生じずに、液晶量のばらつきや上下基板のアライメントによる位置ずれを吸収することができる。

【0043】液晶3は規定セルギャップ厚で塗布されているが、液晶表面の凹凸やシール材、スペーサの抵抗により、加圧しないと基板2と全面で密着しない。このときセルギャップを実際に測定しながら徐々に加圧して行くことにより、押し過ぎや加圧不足によるセルギャップ誤差をなくすことができる。

【0044】真空注入法では、空セルの貼り合せ時には液晶が無く、数 μ mの空気層を精度良く計測することができず、注入時にはセル厚を測定するのではなく、注入時間を経験的に変えてセルギャップを制御していたため、空セル個々のばらつきがセルギャップ誤差となっていたが、本実施の形態で採用した滴下注入法によれば、上述のようにギャップ誤差をなくすことができる。

【0045】セル厚計11としては従来の注入後のセルギャップ計測に用いられる、リタレーションを計測する機器を適用できる。

【0046】(ステップ7) 液晶層が規定厚になった時点で、シール材4に紫外線を照射し硬化する。紫外線は液晶3に照射されないよう、導光路13によってシール材部分のみに基板裏面から照射する。

【0047】(ステップ8) まず、第1の空間の減圧をリークして大気圧に戻し、第2の空間をリークして大気圧に戻し、上定盤15及び中空部材14を上方に駆動さ

せ、貼り合わされた基板を取り出して液晶の封入を完了する。

【0048】なお、シール材に用いた紫外線硬化樹脂は一般的に短時間の紫外線照射では完全に硬化しないため、上記手順により貼り合わせた基板をUV炉に入れ、液晶部分をマスクして数分から数十分紫外線照射して完全硬化する。さらに常温より10℃から50℃程度加熱するとより硬化が促進される。しかし、加熱を過度に行くと、熱膨張により2枚の基板の位置ずれを生じたり、基板のそりでシール材が剥離する恐れがあるので、これらの問題が生じない範囲で加熱する必要がある。

【0049】以上のように、本実施の形態では、基板間を圧力差による力を利用して押圧するため、簡単な構成により、基板を均一に押圧して貼り合わせることができ、セル厚むらを防止できる。さらに、圧力差を徐々に変化させることで、押圧力を徐々に且つ大きく変化させることができるため、基板を破損させずに1つの押圧装置により基板間のギャップを決めることが可能となる。よって、生産性を向上できるとともに、コストダウンを図れる。

【0050】(実施の形態2)次に、本発明の別の実施の形態について図2に基づいて説明する。なお、本実施の形態でも、上述した滴下注入法にて液晶表示素子を製造する場合について説明するが、これに限るものではない。

【0051】まず、本実施の形態で使用する製造装置について説明する。

【0052】本製造装置は、一方の基板を載置する下定盤(第1基板支持台)46、他方の基板を載置する上定盤(第2基板支持台)45、及び、該上定盤45を隙間を介して覆うように形成された中空部材44を有している。上定盤45及び中空部材44は、それぞれ図示していない駆動系により下定盤46に対して上下方向に移動可能となっている。

【0053】上定盤45は、基板を搭載する平坦領域の周囲に立設部を有しており、その立設部の先端には断面が三角形の突起45aが設けられている。また、上定盤15は上記のように上下移動可能であるとともに、基板の面方向には精密位置調整できるようになっている。

【0054】中空部材44は、上定盤45を取り囲む立設部及び平坦部を有し、立設部の先端には断面が三角形の突起44bが設けられている。

【0055】下定盤46は、上述の突起45a、44bそれぞれと対応する位置に弾性部材46a、46bを有している。そして、上定盤45を下定盤46上に押圧したときに(すなわち、突起45aを弾性部材46bに押圧したときに)、上定盤45と下定盤46との間の空間(第1の空間)は気密となるように形成されている。また、中空部材44を下定盤46上に押圧したときに(すなわち、突起44bを弾性部材46bに押圧したとき

に)、中空部材44と上定盤45との間の空間(第2の空間)が気密となるように形成されている。

【0056】下定盤16及び上定盤14には、それぞれ孔46a、44aが形成されており、それぞれ第1の空間、第2の空間を真空排気できるようになっている。

【0057】また、上定盤45には、図1(d)に示すようにセルギャップ32を計測するためのセル厚計31が備えられているとともに、光を透過させるための導光路33が備えられている。

【0058】次に、上記製造装置を用いた、本実施の形態の基板の貼り合わせ方法、液晶表示素子の製造方法について説明する。

【0059】(ステップ11)図2(a)を参照して、まず、一方の基板1に、封入完了時の液晶層と同じ大きさで、規定の液晶層厚(5μm)の矩形膜状に、予め減圧して脱泡処理を行った液晶を塗布する。もう一方の基板2には、スペーサ35の散布とシール材34の塗布を行う(第3工程)。

【0060】シール材34には紫外線硬化樹脂を用い、ディスペンサで幅0.4mm厚さ25μmの線で、内寸が塗布液晶外形から各辺0.5mm間隔を開けた矩形枠に描画する。シール材34は液晶3を塗布しない側の基板2に設けるので液晶3の塗布の妨げとはならない。

【0061】(ステップ12)図2(b)を参照して、この一組の基板1、2を、液晶3を塗布した面とシール材34・スペーサ35を設けた面を対向させるように、それぞれ上定盤45、下定盤46に搭載する(第1工程)。

【0062】(ステップ13)図2(c)を参照して、上定盤45と中空部材44を下降させ、突起45a、44bを、下定盤46の弾性部材46b上に押圧し、その状態を保持する。そして、上定盤45と下定盤46で密閉された第1の空間を下定盤46に設けられた孔46aから第1の真空ポンプ(図中に示さず)で脱空することで第1の空間を1 Torr以下に減圧する。それと同時に中空部材44と下定盤46で密閉された第2の空間も中空部材14に設けられた孔44aから第2の真空ポンプ(図中に示さず)で脱空することで第2の空間を20 Torr以下に減圧する(第4工程)。これにより、塗布時に液晶3に溶け込んだ気体や基板1、2の表面に吸着された気体分子を減圧によって除去する。

【0063】(ステップ14)弾性部材46bを押圧して、基板1と基板2の間隔を0.5mmまで接近させ、2枚の基板を水平面内で位置合わせする。このとき、シール材4と基板1の間には隙間が開いており、位置合わせによってシール材4がずれたり、液晶3に接触したりすることはない。なお、この位置合わせは、弾性部材46bの変形の範囲内で行う。

【0064】(ステップ15)図2(d)を参照して、液晶3が存在する部分においてセル厚計31でセルギャ

ップ32を計測しながら、上定盤45の上下方向の駆動部を解除し、第1の空間と第2の空間の圧力差と上定盤45の自重で上定盤45を下定盤46に押圧する(第2工程)。

【0065】(ステップ16)そして、孔44aから空気を流入させて、第2の空間の圧力を徐々に増加させる。これにより、2枚の基板1, 2は全面で徐々に加圧される。このとき、弾性部材46bも押圧されるが、まだ弾性域にあるため、基板1, 2間のシール材34が押しつぶされ貼り合わせが行われる。シール材34は25 μ mから5 μ mまでつぶされ、線幅が0.4mmから2mmに広がる。

【0066】つぶれる前のシール材34の内側は液晶3から0.5mm間隔を開けているが、シール材が内外に広がり液晶とシール材の空間が埋められる。液晶があればシール材はその分外側へ広がるので、この広がり範囲内であれば、気泡やシール材の押し流しを生じずに、液晶量のばらつきや上下基板のアライメントによる位置ずれを吸収することができる。

【0067】液晶3は規定セルギャップ厚で塗布されているが、液晶表面の凹凸やシール材34、スペーサ5の抵抗により、加圧しないと基板2と全面で密着しない。このときセルギャップを実際に測定しながら徐々に加圧して行く(すなわち、徐々に第2の空間の圧力を増加させていく)ことにより、押し過ぎや加圧不足によるセルギャップ誤差を無くすことができる。

【0068】(ステップ17)上定盤45の駆動部を連結させ、上定盤の上下動作を固定する。そして、さらに第2の空間の圧力を増加させる。そのとき、シール材34と液晶33間に減圧空間があれば、シール材34はまだ未硬化のため流動性があるため、その減圧空間を埋めるまで流動する。

【0069】(ステップ18)液晶3が規定厚になった時点で、シール材34に紫外線を照射し硬化する。紫外線は液晶3に照射されないよう、導光路33によってシール材34のみに基板裏面から照射する。

【0070】(ステップ19)まず、第1の空間の減圧をリークして大気圧に戻し、第2の空間をリークして大気圧に戻し、上定盤45及び中空部材44を上方に駆動させ、貼り合わされた基板を取り出して液晶3の封入を完了する。

【0071】以上のように、本実施の形態では、基板間を圧力差による力を利用して押圧するため、簡単な構成により、基板を均一に押圧して貼り合わせることができ、セル厚むらを防止できる。さらに、圧力差を徐々に変化させることで、押圧力を徐々に且つ大きく変化させることができるため、基板を破損させずに1つの押圧装置により基板間のギャップを決めることが可能となる。よって、生産性を向上できるとともに、コストダウンを図れる。

【0072】また、滴下注入法の場合には、液晶の脱泡のための第1の空間の減圧時に第2の空間をも減圧するため、基板間に急激に圧力がかからず、基板を破損させることを防止できる。また、基板間のギャップを精密に決めることが可能となる。

【0073】以上説明した実施の形態1, 2は本発明の基板の貼り合わせ方法、貼り合わせ装置、液晶表示素子の製造方法、製造装置の一例であり様々な変形が可能である。以下に、その変形例の一部を記す。

【0074】(1)本発明の基板の貼り合わせ方法、貼り合わせ装置は、液晶表示素子における基板の貼り合わせのみならず、プラズマディスプレイ等の他の表示素子の基板の貼り合わせ等、他の用途にも適用可能である。

【0075】(2)液晶表示素子の製造方法、製造装置としても、滴下注入法によるものに限らず、真空注入法にも適用できる。

【0076】(3)第1の空間、第2の空間は、実施の形態1, 2のように形成する必要はない。第1の空間は、2枚の基板の間を含む空間を何らかの形で密閉することで形成すれば良く、第2の空間は、基板支持部材(上記上定盤、下定盤のどちらか一方)の基板載置側とは反対側の少なくとも一部を含む空間を何らかの形で密閉することで形成すれば良い。

【0077】(4)上述した実施の形態1, 2の方法は設計、用途に合わせて如何様にも変形できる。例えば、上記実施の形態では、シール材と液晶膜を別々の基板に設けるとしたが、同一の基板に設けるようにしても良い。また、第1の空間と第2の空間の圧力は、基板に加える圧力が適当になるように設定すればよく、その減圧・加圧のタイミングも上記形態に限るものではない。

【0078】

【発明の効果】本発明の基板貼り合わせ方法及び貼り合わせ装置によれば、精密なプレス機構を用いることなく、2枚の基板間の押圧力を基板全体に均一にかけることができ、精密な基板貼り合わせを容易に且つ短時間に行える。

【0079】本発明の液晶表示素子の製造方法及び製造装置によれば、精密なプレス機構を用いることなく、2枚の基板間の押圧力を基板全体に均一にかけることができ、セル厚むらや液晶漏れ、気泡のない液晶表示素子の製造を生産性よく行え、コストダウンを図ることができる。

【0080】また、本発明の滴下注入法による液晶表示素子の製造方法、製造装置では、液晶の脱泡のための第1の空間の減圧時に第2の空間をも減圧するため、基板間に急激に圧力がかからず、基板を破損させることを防止できる。また、基板間のギャップを精密に決めることが可能となる。

【図面の簡単な説明】

【図1】本発明の一実施の形態に係る液晶表示素子の製

造方法を説明する工程図である。

【図2】本発明の他の実施の形態に係る液晶表示素子の製造方法を説明する工程図である。

【図3】従来の真空注入法を説明する図である。

【図4】従来の滴下注入法を説明する図である。

【図5】従来の他の滴下注入法を説明する図である。

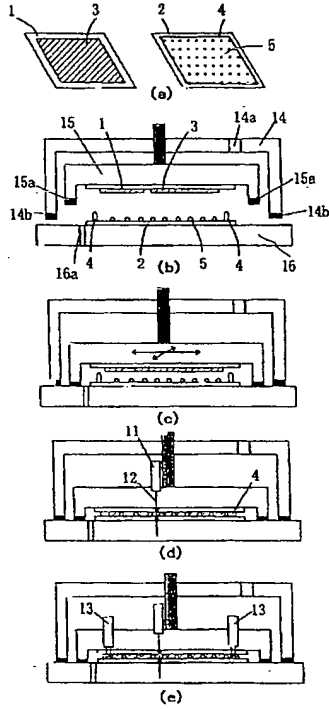
【図6】一般的な液晶表示素子の構造を示す図である。

【符号の説明】

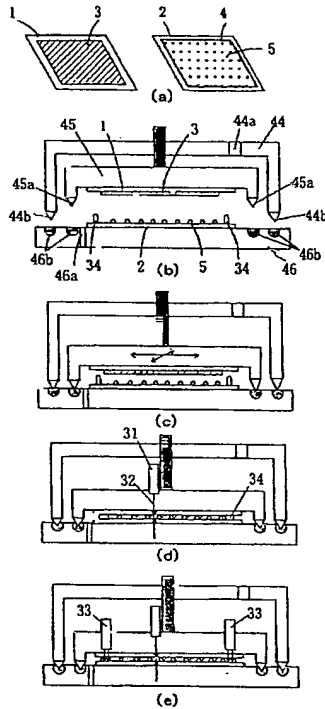
- 1, 2 基板
- 3 液晶膜
- 4, 34 シール材
- 5 スペース

- 11, 31 セル厚計
- 12, 32 セルギャップ
- 13, 33 導光路
- 14, 44 中空部材
- 14a, 44a 孔
- 14b 弾性部材
- 15, 45 上定盤
- 15a, 45a 弾性部材
- 16, 46 下定盤
- 16a, 46a 孔
- 44b, 45a 突起
- 46b 弾性部材

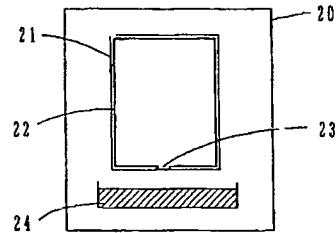
【図1】



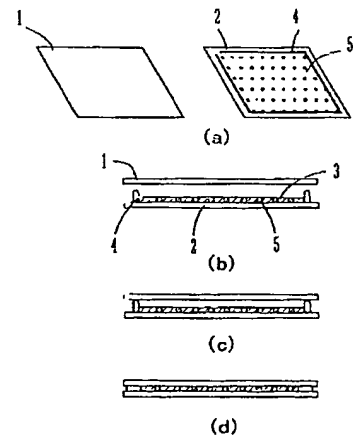
【図2】



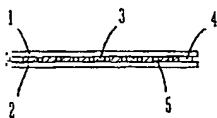
【図3】



【図4】



【図6】



【図5】

